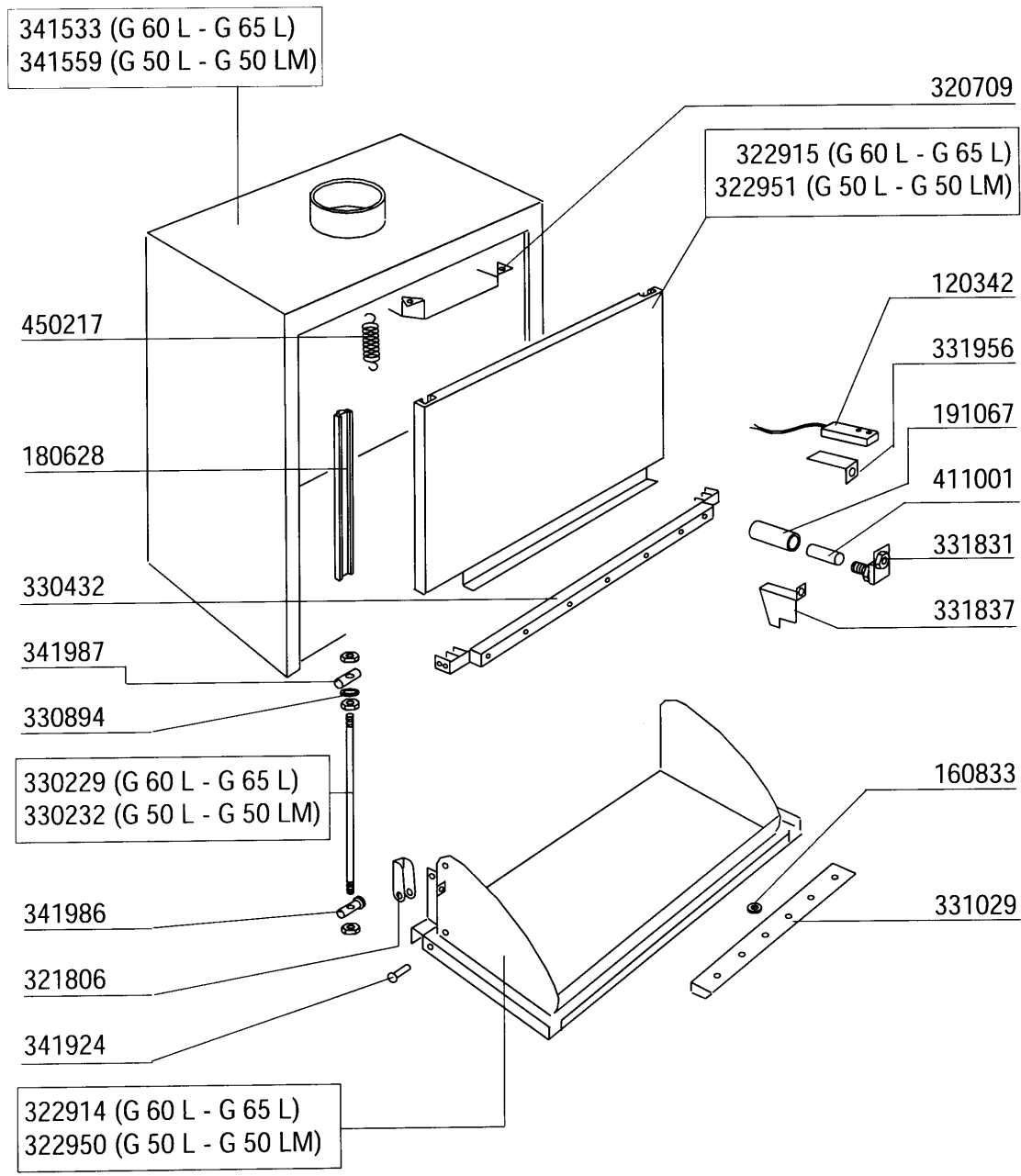


1 - 7 - 98 F.A.

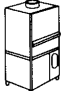
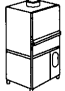
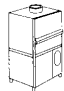
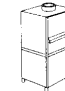
| | | | | | | | |
|---------------|----------------|---------------|---------------|---------------|----------------|----------------|----------------|
| | | | | | | | |
| G 50 L | G 50 LM | G 60 L | G 65 L | G 75 L | G 100 L | G 115 L | G 125 L |

2 - Hood

| CODE | DESCRIPTION |
|-------------|-----------------------------|
| 210404 | BLACK RUBBER FOOT S90 NE SE |
| 350347 | PANEL |
| 351327 | LEFT PANEL |
| 351328 | RIGHT PANEL |
| 351514 | FRONT PANEL |
| 351515 | FRONT PANEL |
| 391260 | FRAME |
| 620222 | COMPLETE ALUMINIUM LEGS |



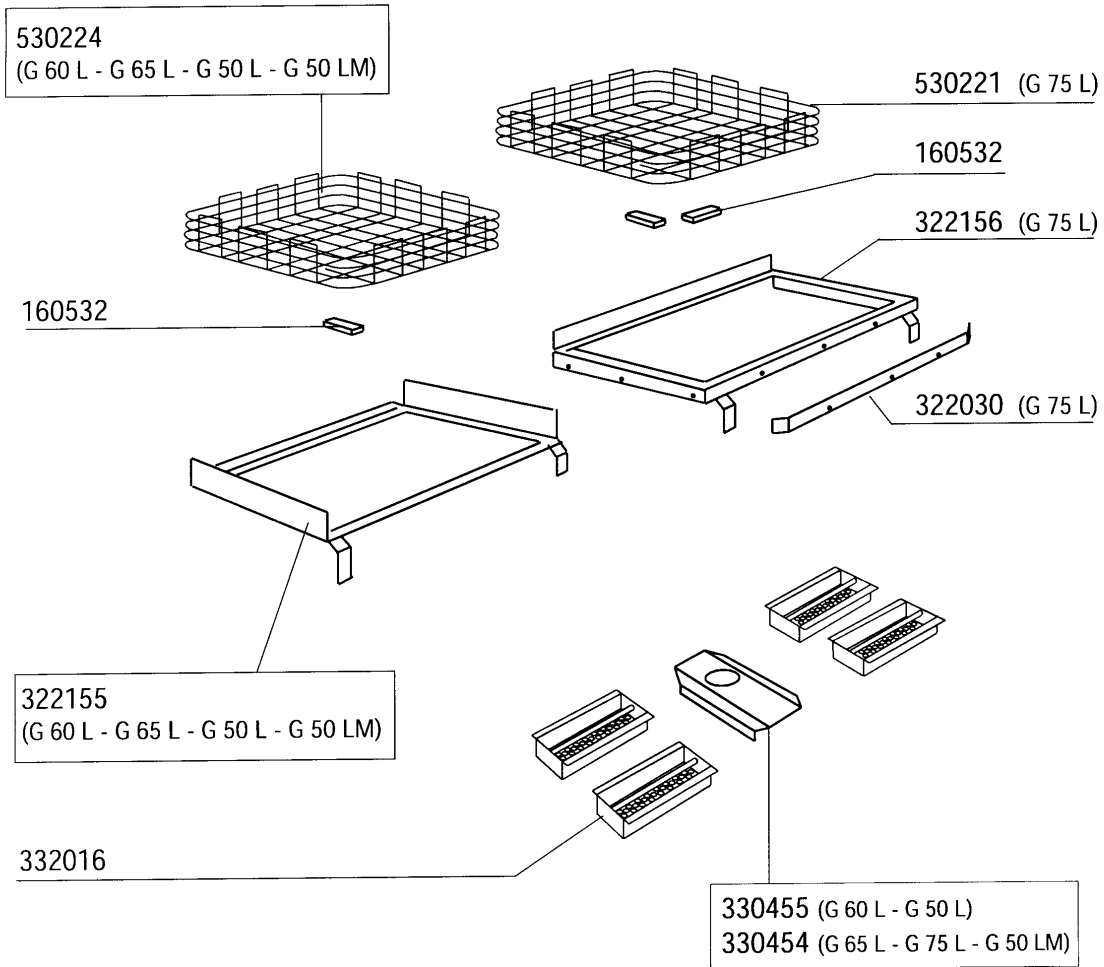
1 - 7 - 98 F.A.

| | | | | | | | |
|---|---|---|---|---------------|----------------|----------------|----------------|
|  |  |  |  | | | | |
| G 50 L | G 50 LM | G 60 L | G 65 L | G 75 L | G 100 L | G 115 L | G 125 L |

3 - Hood

| CODE | DESCRIPTION |
|-------------|----------------------------|
| 120342 | DOR MAGNETIC SWITCH |
| 160833 | GASKET 17X8,4 TH 0,75 TEFL |
| 180628 | DOOR RAIL FOR G60-65L |
| 191067 | MAGNET PROTECTION FOR GL |
| 320709 | SPLASH GUARD G65-115 |
| 321806 | DOOR HINGE G60-65L |
| 322914 | LOWER DOOR G60-65L |
| 322915 | UPPER DOOR G60-65L |
| 322950 | LOWER DOOR G50L |
| 322951 | UPPER DOOR G50L |
| 330229 | TIE ROD DOOR GL |
| 330232 | DOOR ROD G50L |
| 330432 | SPLASH GUARD G65L |
| 330894 | SPACER |
| 331029 | HANDLE G65L-G115L |
| 331831 | BRACKET |
| 331837 | BRACKET |
| 331956 | DOOR MICRO SWITCH BRACKET |
| 341533 | HOOD G65L |
| 341559 | HOOD G50L (341485) |
| 341924 | PIN |
| 341986 | "GL"-DOOR PIN |
| 341987 | PIN FOR DOOR |
| 411001 | PERMANENT MAGNET 8X40 |
| 450217 | SPRING F.DOOR G65/115 |

4 - Rack and strainers



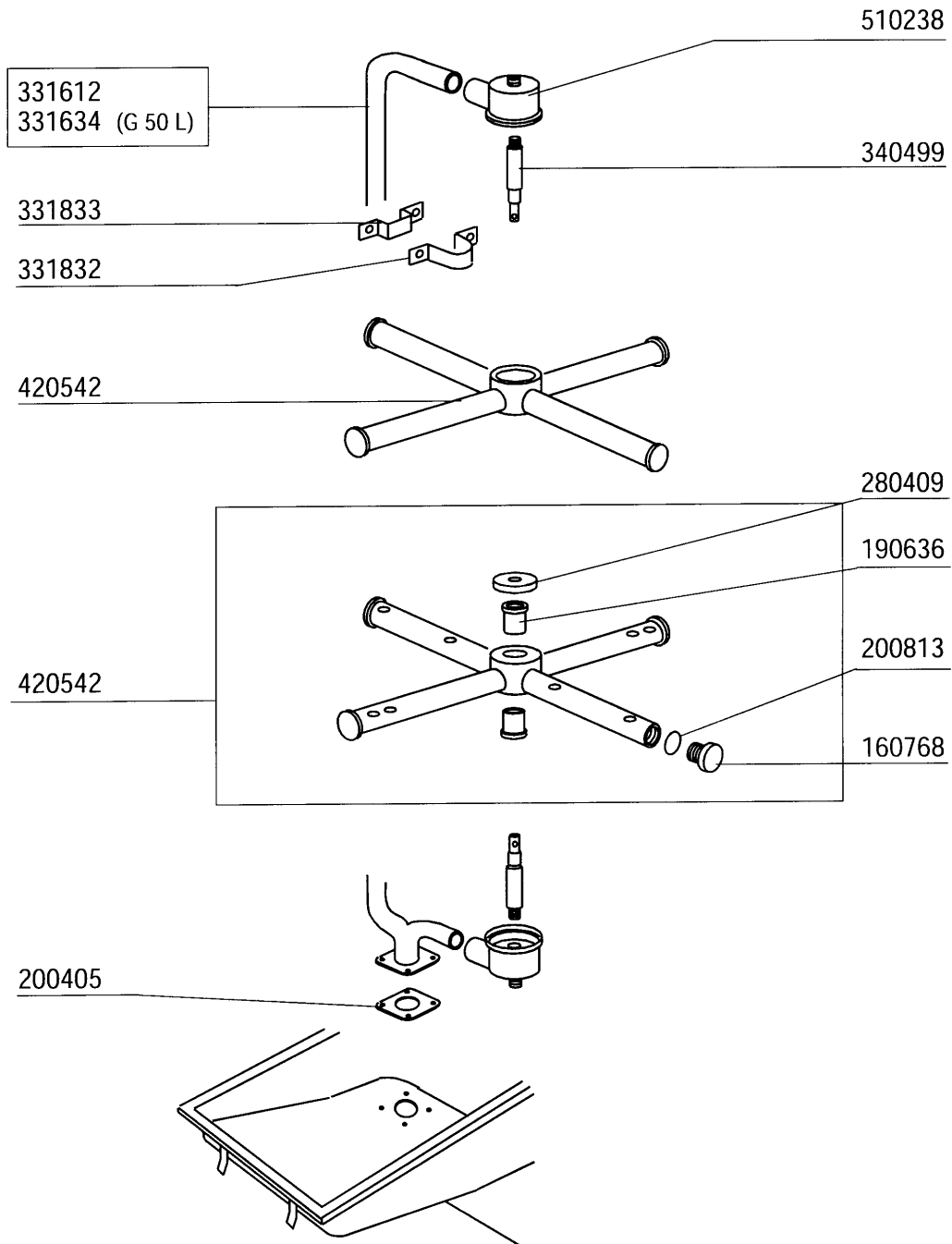
| | | | | | | | |
|--------|---------|--------|--------|--------|---------|---------|---------|
| | | | | | | | |
| G 50 L | G 50 LM | G 60 L | G 65 L | G 75 L | G 100 L | G 115 L | G 125 L |

1 - 7 - 98 F.A.

4 - Rack and strainers

| CODE | DESCRIPTION |
|--------|--------------------------------|
| 160532 | SLIDING BLOCK FOR G75 RACK |
| 322030 | PLATE FOR RACK GUIDE G75 |
| 322155 | GUIDE |
| 322156 | GUIDE |
| 330454 | CENTRAL SUPPORT FOR FILTERS GL |
| 330455 | CENTRAL SUPP.F.FILTERS G60/70/ |
| 332016 | TANK FILTER G65L-G115L |
| 530221 | RACK 700X700 GE75 |
| 530224 | RACK 720X700 G60L-65L |

5 - Wash Column

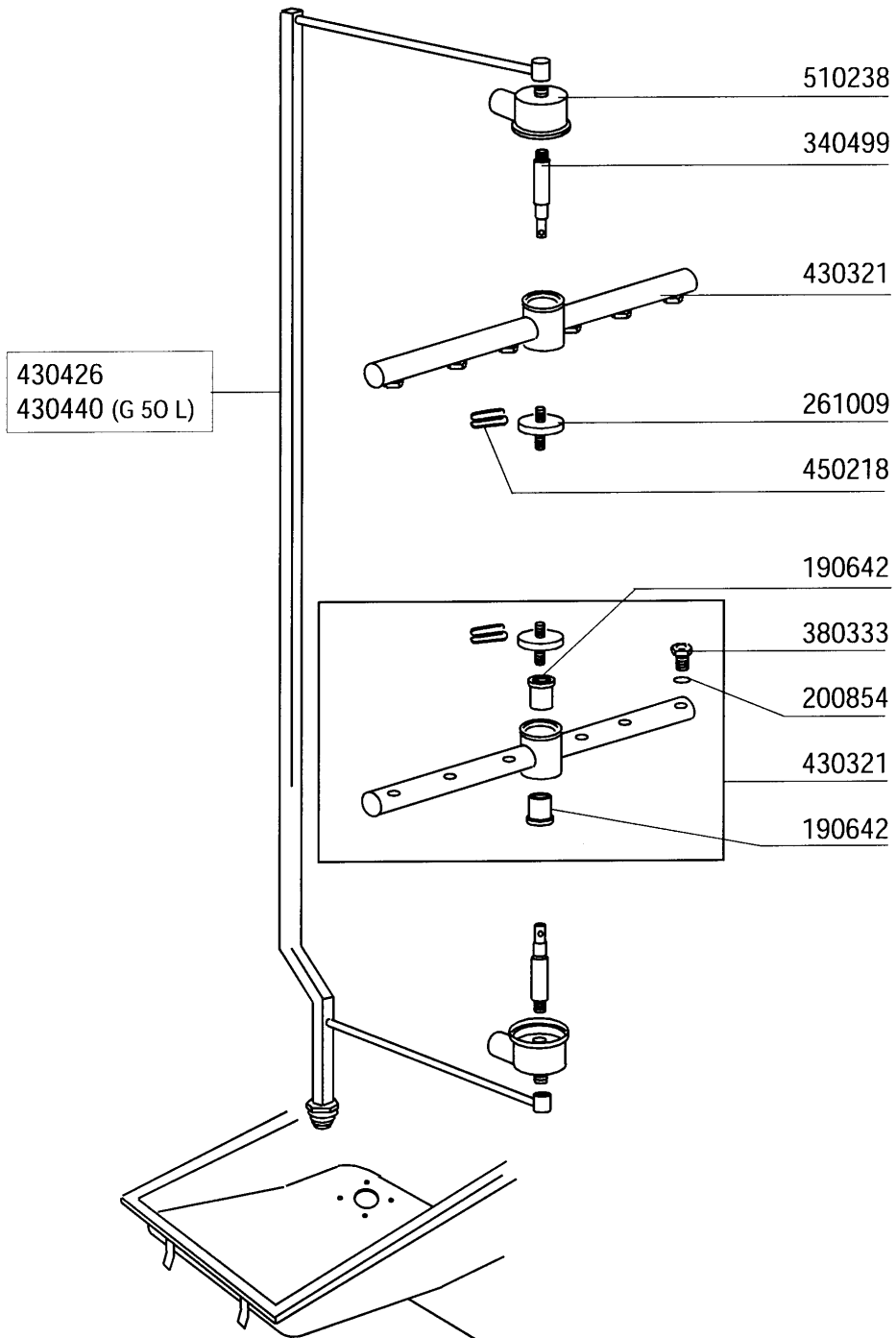


1 - 7 - 98 F.A.

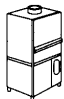

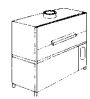
| | | | | | | | |
|--------|---------|--------|--------|--------|---------|---------|---------|
| | | | | | | | |
| G 50 L | G 50 LM | G 60 L | G 65 L | G 75 L | G 100 L | G 115 L | G 125 L |

5 - Wash Column

| CODE | DESCRIPTION |
|-------------|--------------------------------|
| 160768 | PLUG FOR "C95-155" WASH ARM |
| 190636 | BUSH FOR C95-155-165 WASH ARM |
| 200405 | GASKET 110X100X63 IN NEOTEN |
| 200813 | OR GASKET 2,21X16,36X20,78 |
| 280409 | RETAIN.LOCK NUT CENTR.CROSS C1 |
| 331612 | WASH COLUMN GL60 |
| 331634 | WASH ASSEMBLY G50L |
| 331832 | BRACKET |
| 331833 | BRACKET |
| 340499 | SPINDLE CENTR. CROSS C34 |
| 420542 | WASH ARM G60-100L |
| 510238 | NICKEL-PLATED WASH-RINSE ARM |

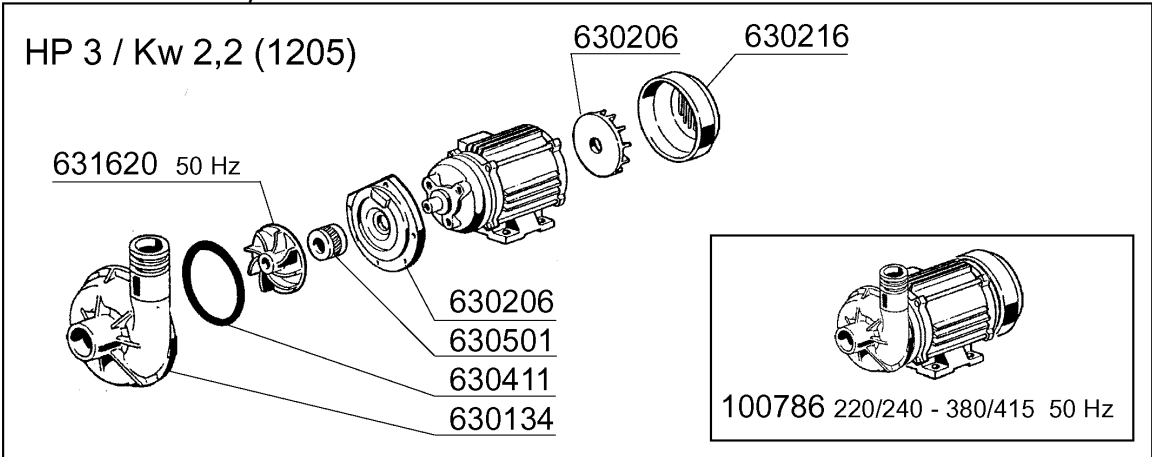
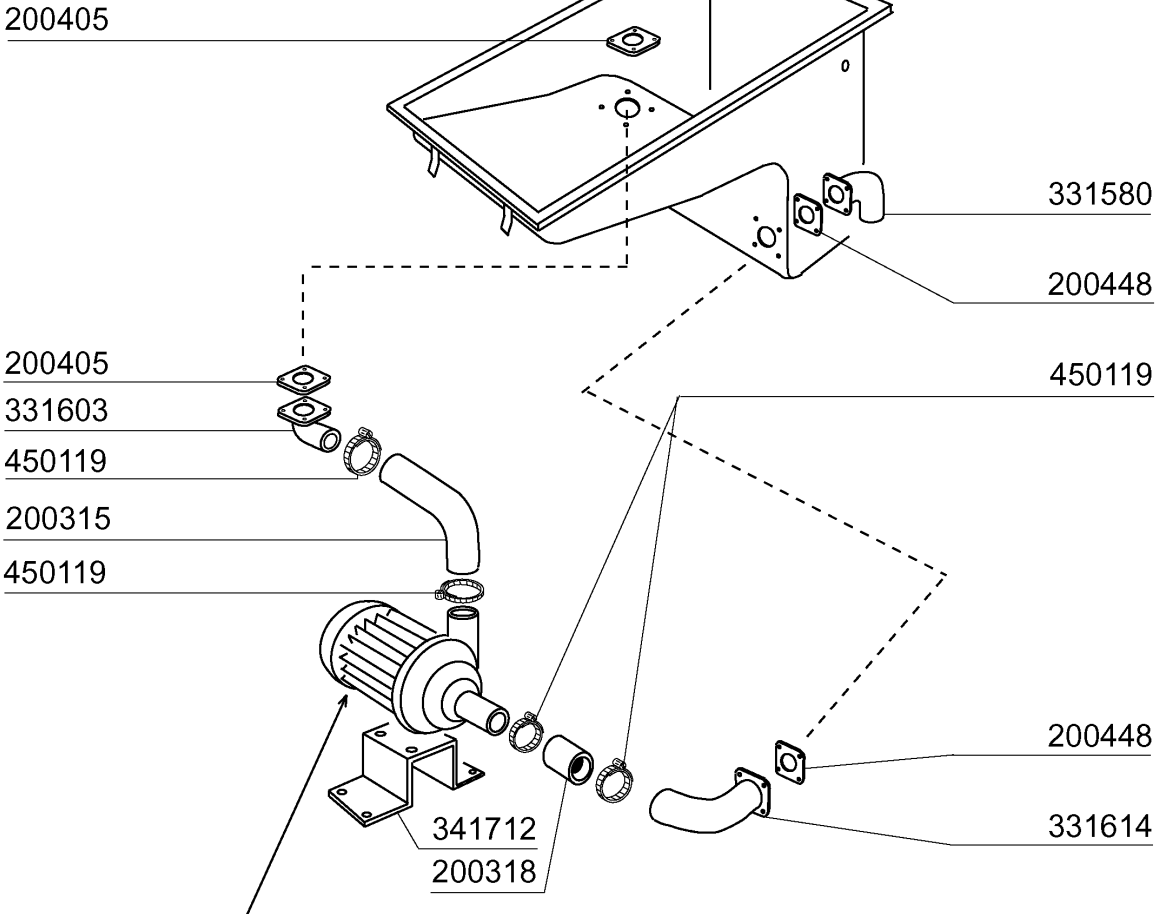



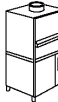

1 - 7 - 98 F.A.

| | | | | | | | |
|---|---|---|--------|--------|---------|---------|---------|
|  |  |  | | | | | |
| G 50 L | G 50 LM | G 60 L | G 65 L | G 75 L | G 100 L | G 115 L | G 125 L |

6 - Rinse arm

| CODE | DESCRIPTION |
|-------------|--------------------------------|
| 190642 | BUSH FOR S/S RINSE ARM "G" |
| 200854 | O-RING FOR NOZZLE OF S/S RINSE |
| 261009 | RETAIN.SCREW FOR WASH-RINSE AR |
| 340499 | SPINDLE CENTR. CROSS C34 |
| 380333 | S/S JET OV120 80LT 1/8" |
| 430321 | RINSE ARM GL50-60-100 |
| 430426 | RINSE COLUMN G60L-G100L |
| 430440 | RINSE COLUMN G50L |
| 450218 | SPRING F.RINSE ARM RETAIN.SCRE |
| 510238 | NICKEL-PLATED WASH-RINSE ARM |

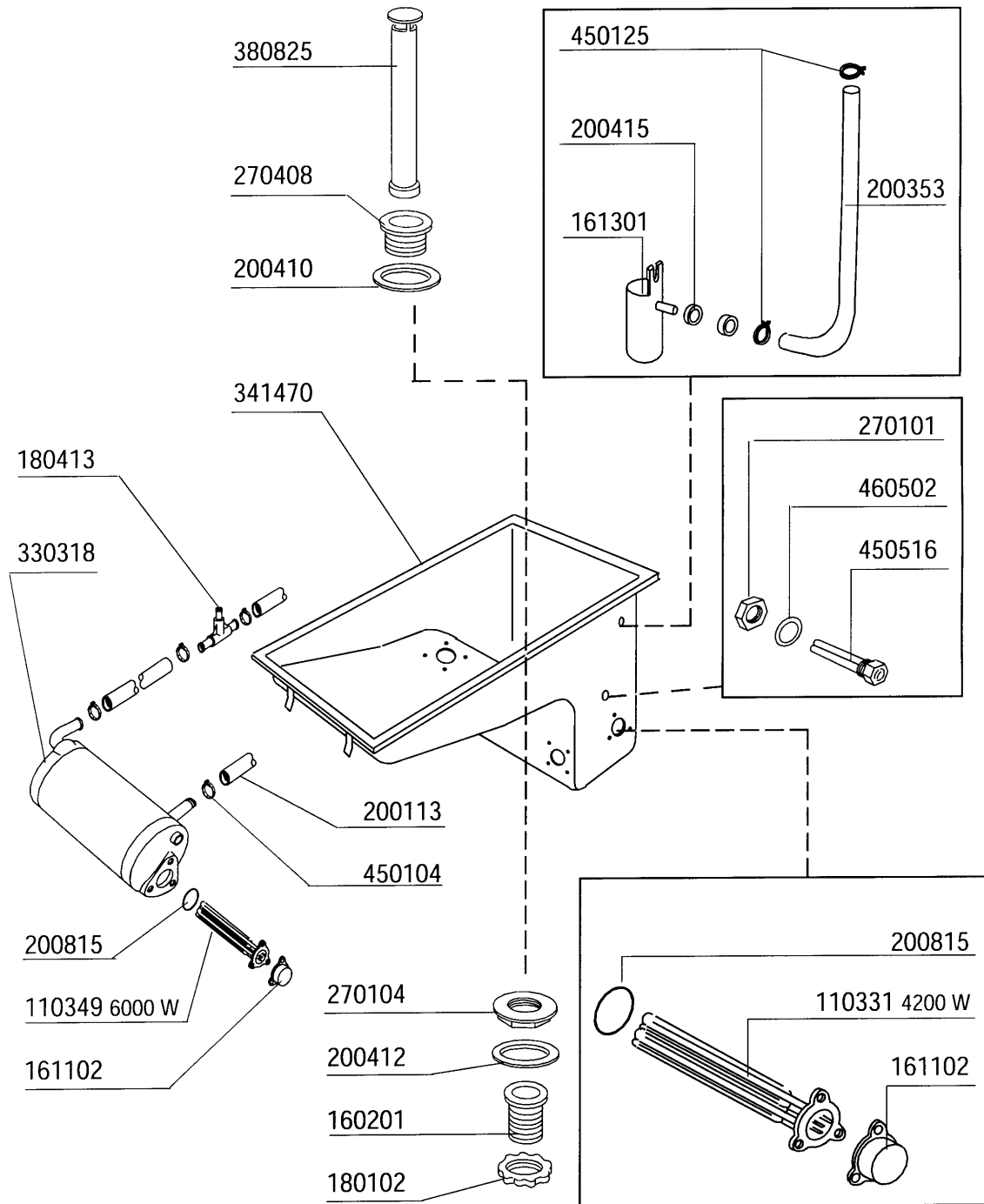


| | | | | | | | | | |
|------------------|---|---|--|--|--|---|--|--|--|
| 03 - 2002 S. AG. |  G 51 L |  G 61 L | | | |  G 101 L | | | |
|------------------|---|---|--|--|--|---|--|--|--|

7 - Wash Tank/Pump

| CODE | DESCRIPTION |
|--------|-------------------------------|
| 100786 | PUMP HP 3 V.230-400-50HZ |
| 200315 | OUTLET HOSE C34-35 |
| 200318 | INLET HOSE 64X76 C34 SE |
| 200405 | GASKET 110X100X63 IN NEOTEN |
| 200448 | GASKET 100X100X3 HOLE D.76 |
| 331580 | INLET ELBOW FOR G75 WASH TANK |
| 331603 | OUTLET HOSE |
| 331614 | SUCTION HOSE GL60 |
| 341712 | SUPPORT PUMP G60L |
| 450119 | CLAMP FE ZN. 58-75 H=12,2 |
| 630134 | PUMP VOLUTE FIR 3HP |
| 630206 | INLET FLANGE LS/1-LS/2 |
| 630216 | FAN HOUSING FIR HP 2-3 |
| 630411 | O-RING PUMP FI HP 2-2,7 |
| 630501 | SEAL FOR PUMP HP 2-3-3,2 |
| 631620 | IMPELLER HP 3-3,2 1205-43 |

8 - Wash and rinse



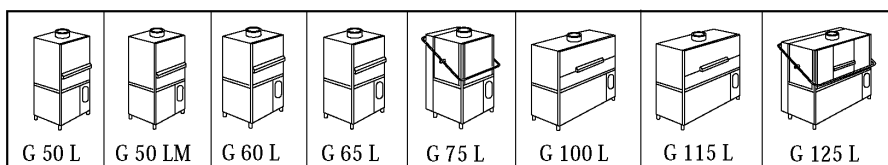
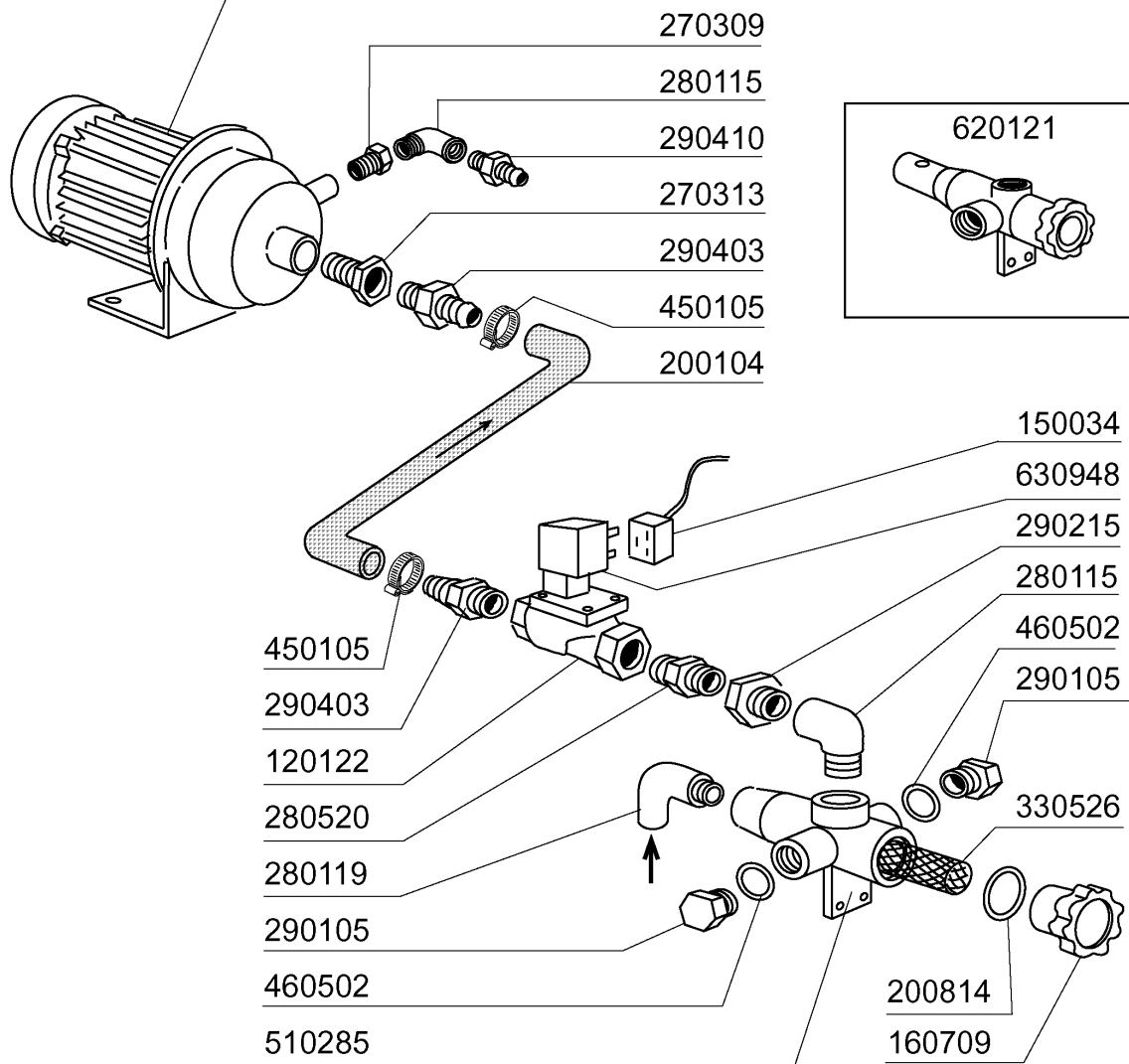
| | | | | | | | |
|--------|---------|--------|--------|--------|---------|---------|---------|
| | | | | | | | |
| G 50 L | G 50 LM | G 60 L | G 65 L | G 75 L | G 100 L | G 115 L | G 125 L |

1 - 7 - 98 F.A.

8 - Wash and rinse

| CODE | DESCRIPTION |
|--------|--------------------------------|
| 110331 | HEAT.ELEMENT 4200W 230/400V |
| 110349 | HEAT.ELEMENT 6000W 230/400V |
| 160201 | ELBOW F.TANK INLET MOPLN |
| 161102 | ELEMENT COVER MOPL. |
| 161301 | AIR TRAP F2 C34-F45 |
| 180102 | DRAIN PIPE NUT 1"1/2 F45-55 |
| 180413 | TEE NIPPLE D.11,5 - RINSE ASSE |
| 200113 | RUBBER HOSE 12 X 22 |
| 200353 | PRESS.SWITCH HOSE B23-10-1-2-C |
| 200410 | DRAIN OUTL.WASH.1 1/2"65X47X2 |
| 200412 | GASKET DRAIN 11/2" 45X33X3 |
| 200415 | AIR TRAP GASKET -F2 18,5X10X3 |
| 200815 | O-RING F. HEAT.ELEM. |
| 270101 | HEXAGON LOCK NUT 1/2" |
| 270104 | LOCK NUT 1" 1/2 |
| 270408 | DRAIN OUTLET S/S FOR G75-125 D |
| 330318 | BOILER G65-75 |
| 341470 | TANK |
| 380825 | OVERFLOW PIPE S/S 510MM FOR G7 |
| 450104 | CLAMP FE ZN H=12,5 15-24 |
| 450125 | ELASTIC CLAMP D. 10,4X9,8 |
| 450516 | THERMOSTAT SHIELD FOR 2 TERMOS |
| 460502 | GASKET 30X21X2 |

☞ tav. 24

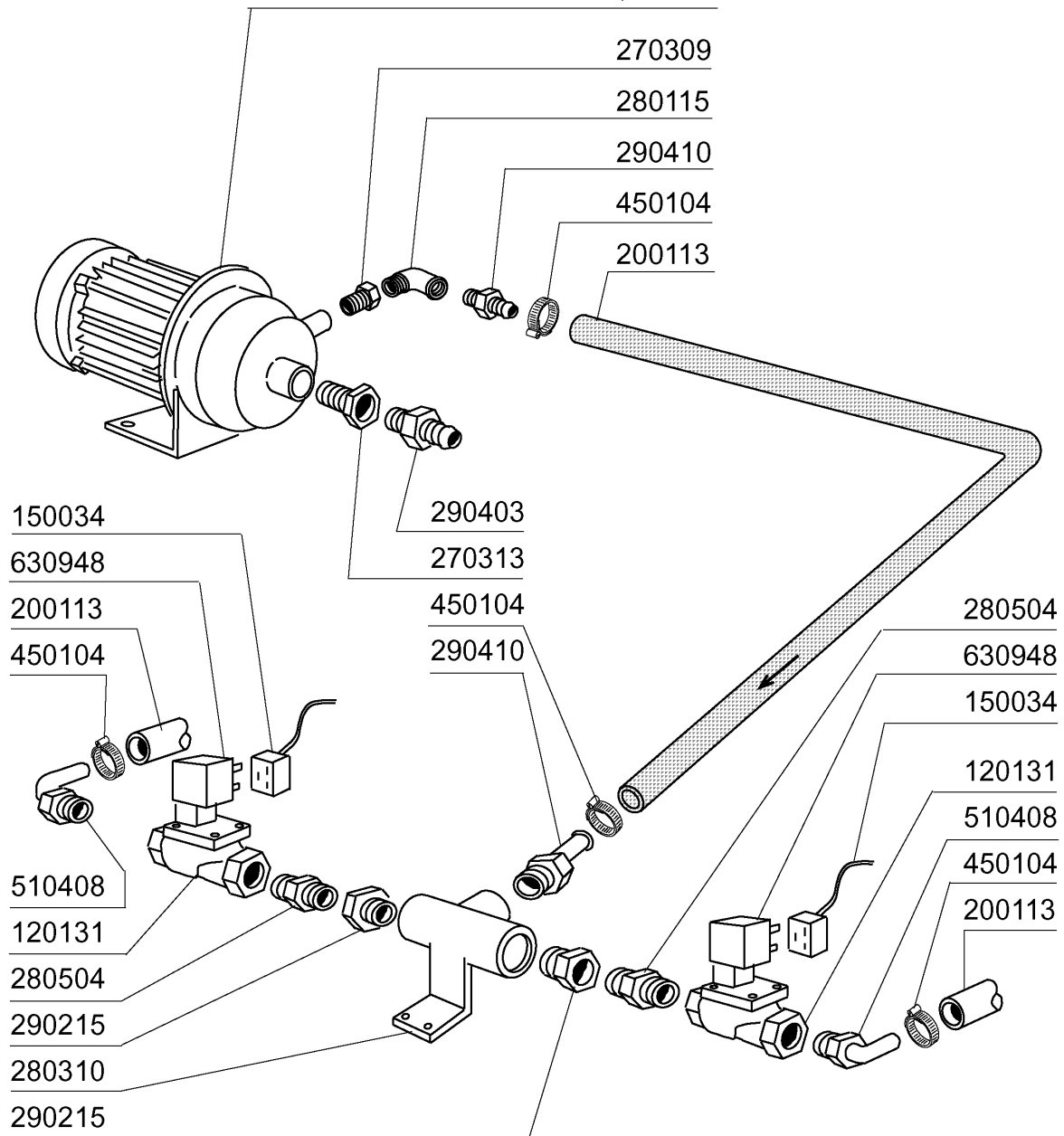


02 - 2002 | S.A.G.

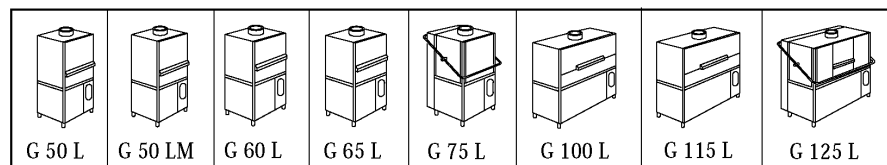
9 - Solenoid valve rinse pump

| CODE | DESCRIPTION |
|--------|--------------------------------|
| 120122 | SOLENOID VALVE 3/4 24V L180Q17 |
| 150034 | CONNEC.F.SOLEN.VALVE 122.09.N |
| 160709 | KNOB OF MANIFOLD F. SOLEN. VAL |
| 200104 | DISCHARGE HOSE 20X30 |
| 200814 | O-RING 34,52X41,58X3,53 |
| 270309 | CONNECTION 1"-1/2" |
| 270313 | CONNECT.1 1/4" - 3/4" |
| 280115 | ELL 1/2" |
| 280119 | ELL MF 3/4" |
| 280520 | CONNECTION 3/4" |
| 290105 | BRASS-TE-PLUG 1/2" |
| 290215 | 1/2"BSP M/F UNION BRASS |
| 290403 | NIPPLE M.3/4" BRASS |
| 290410 | NIPPLE 1/2" |
| 330526 | FILTERS 22X28 SOLENOID V.MANIF |
| 450105 | CLAMP FE ZN. 26-38 H=12,2 |
| 460502 | GASKET 30X21X2 |
| 510285 | SOLENOID VALVE MANIFOLD - BRAS |
| 620121 | TWIN SOLENOID VALVE MANIFOLD |
| 630948 | COIL Z610A 24V 50/60-L180V01 |

☞ tav. 24

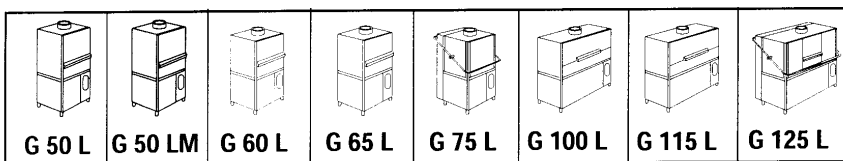
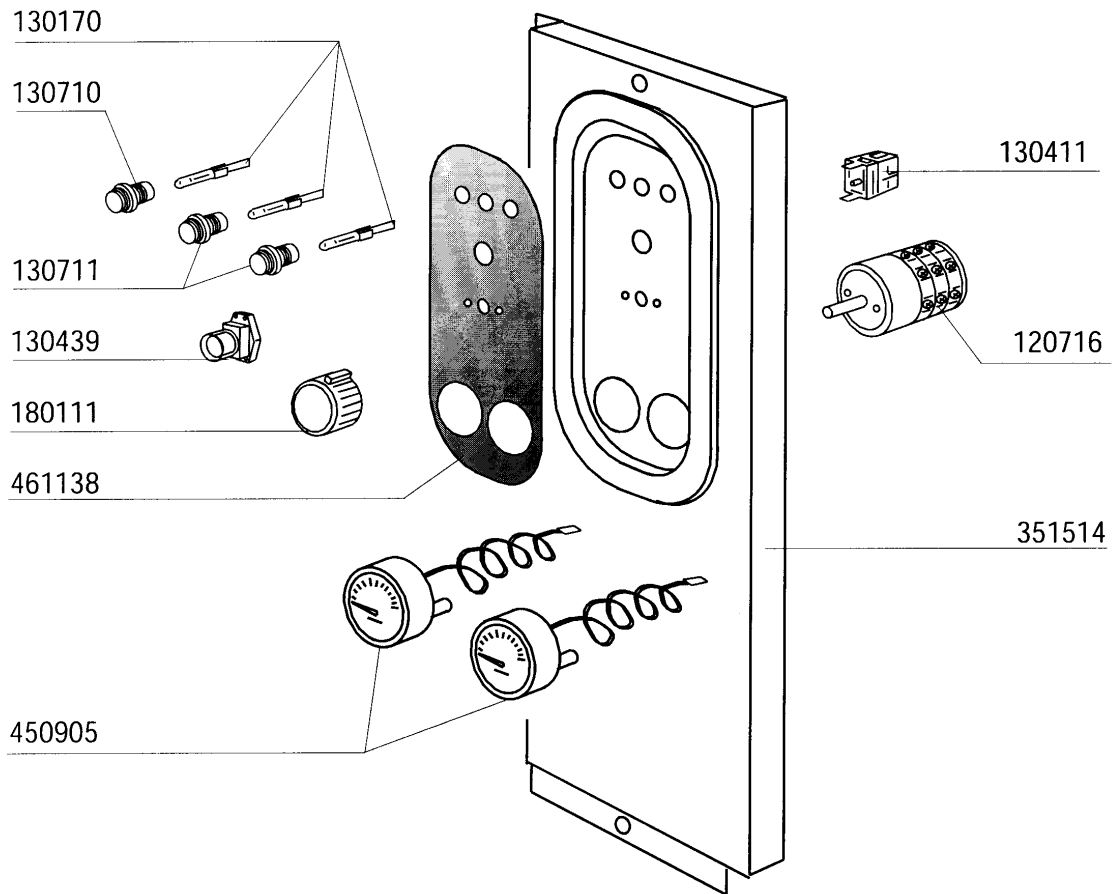


02 - 2002 | S. AG.



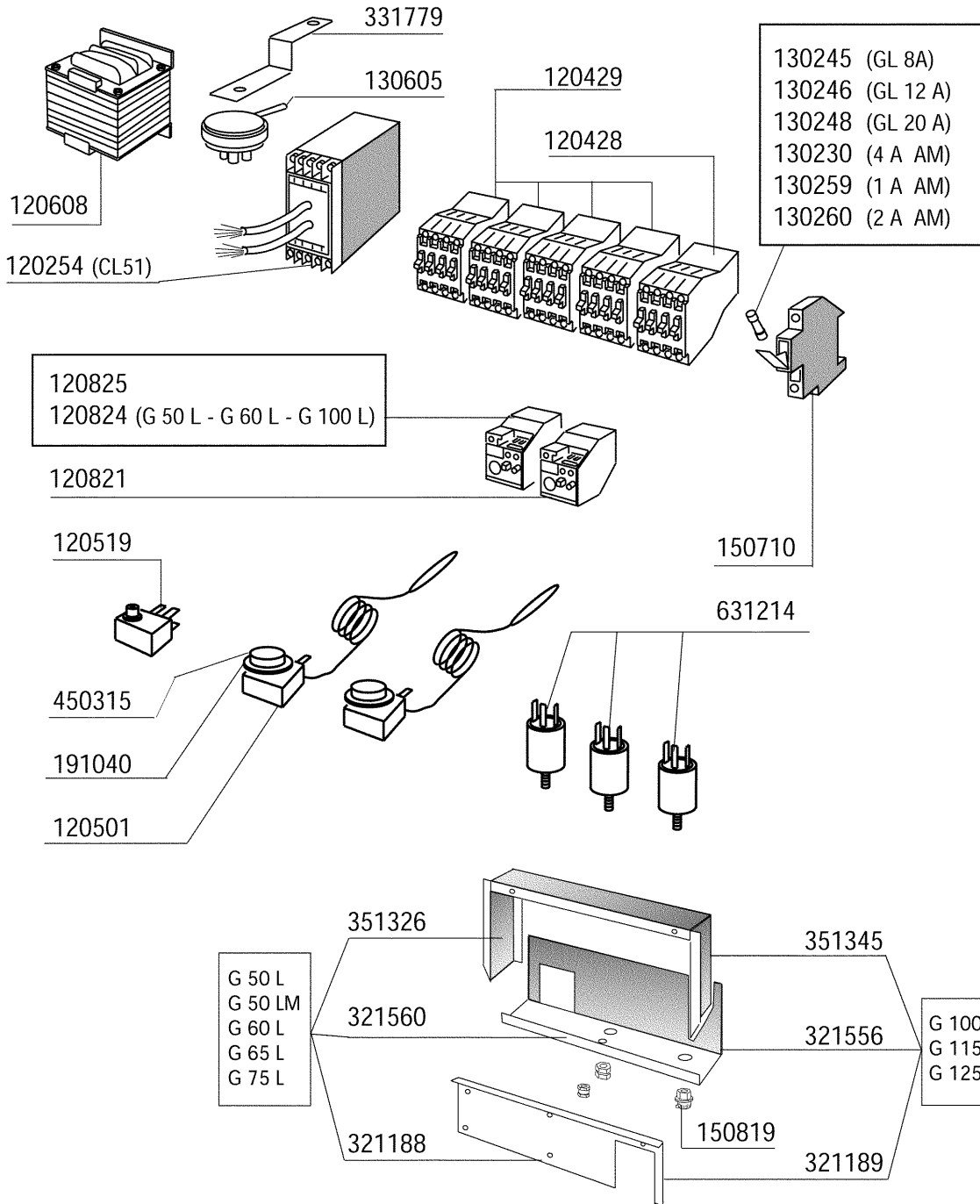
10 - Rinse solenoid valve

| CODE | DESCRIPTION |
|-------------|-------------------------------|
| 120131 | SOLEN. L182Q31-ZB10A 1/2"24V |
| 150034 | CONNEC.F.SOLEN.VALVE 122.09.N |
| 200113 | RUBBER HOSE 12 X 22 |
| 270309 | CONNECTION 1"-1/2" |
| 270313 | CONNECT.1 1/4" - 3/4" |
| 280115 | ELL 1/2" |
| 280310 | TEE-CONNECTION 1/2" |
| 280504 | MANIFOLD CONN.HOSE |
| 290215 | 1/2"BSP M/F UNION BRASS |
| 290403 | NIPPLE M.3/4" BRASS |
| 290410 | NIPPLE 1/2" |
| 450104 | CLAMP FE ZN H=12,5 15-24 |
| 510408 | CONNECTION 90° 1/2" |
| 630948 | COIL Z610A 24V 50/60-L180V01 |

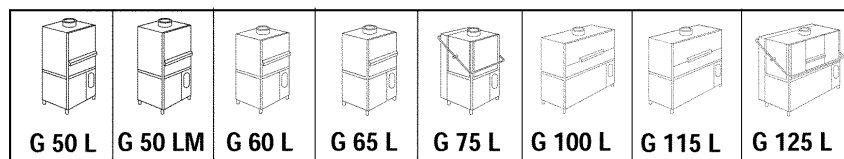


11 - Control panel

| CODE | DESCRIPTION |
|-------------|-----------------------------|
| 120716 | 6 POLES SWITCH 16A |
| 130170 | LAMP 24V |
| 130411 | START CONTACT YELLOW |
| 130439 | GREEN PUSH BUTTON RM122 |
| 130710 | RED COVER FOR LAMP |
| 130711 | GREEN COVER FOR LAMP |
| 180111 | BLACK KNOB |
| 351514 | FRONT PANEL |
| 450905 | CAPIL.THERMOMETER D.52 1,5M |
| 461138 | PLATE GL-SERIE |

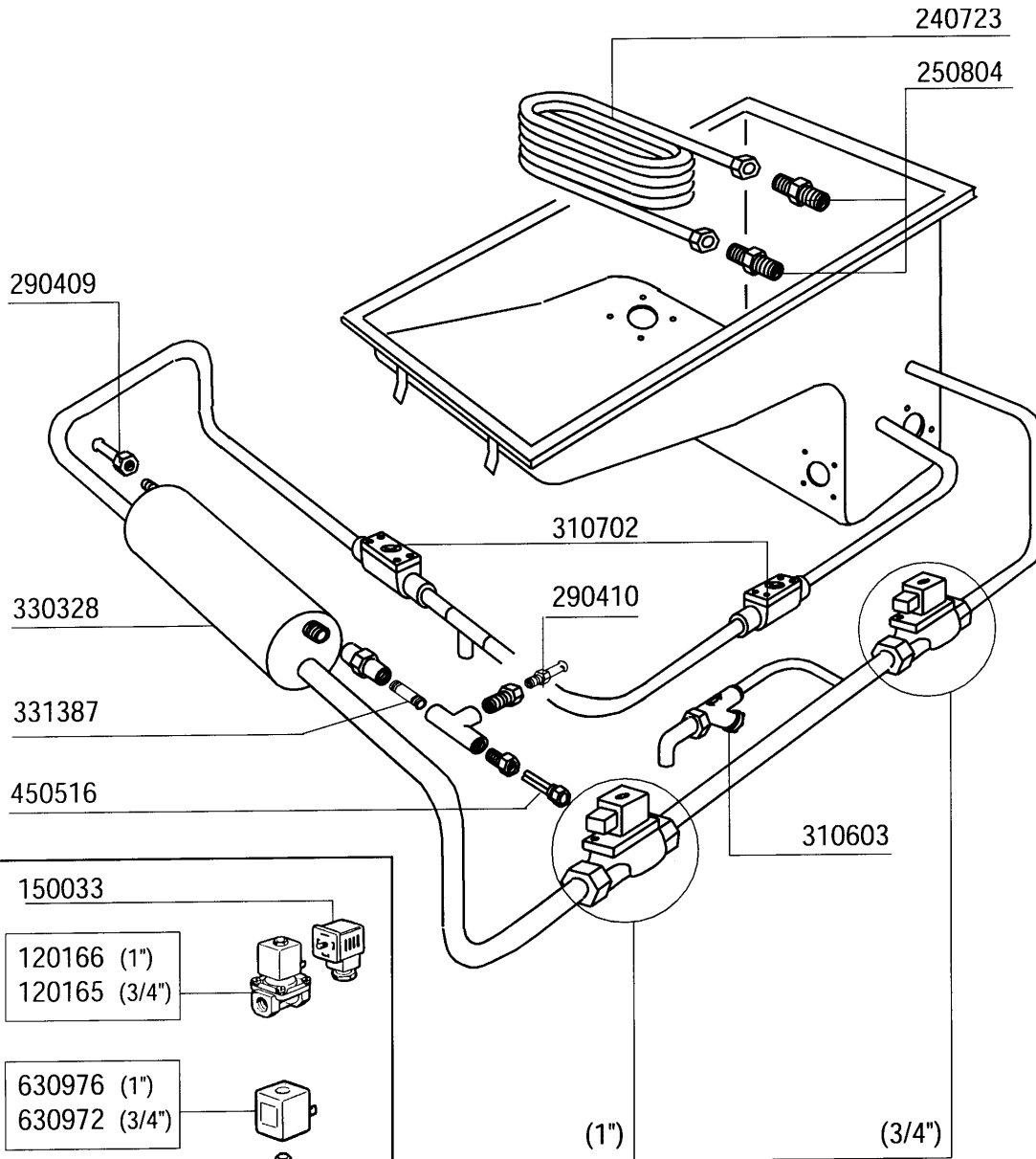


06 - 2000 | F.A. 01



12 - Control Box

| CODE | DESCRIPTION |
|--------|--------------------------------|
| 120254 | ELECTRONIC TIMER 2 RELAY CL51 |
| 120428 | CONTACTOR 9A 24V 50HZ |
| 120429 | CONTACTOR 12A 24V 50HZ |
| 120501 | THERMOSTAT 30/90°C |
| 120519 | SECURITY THERMOSTAT 95-125°C |
| 120608 | TRANSFORMER 150VA220-240-380-4 |
| 120821 | OVERLOAD RELAY 1/1,6A |
| 120824 | OVERLOAD RELAY 4/6 A |
| 120825 | OVERLOAD RELAY 5,5/8 A |
| 130230 | FUSE 10,3X38 4A AM13004 |
| 130245 | FUSE 10.3X38 8A GF13308 |
| 130246 | FUSE 10.3X38 12A GF13312 |
| 130248 | FUSE 20A-10,3X38 13320 G.F. |
| 130259 | FUSE 10,3X38 1A AM 13095 |
| 130260 | FUSE 10,3X38 2A AM 13001 |
| 130605 | PRESSURE SWITCH 50-30 1 LEVEL |
| 150710 | FUSE CARRIER 10,3X38 ART.21401 |
| 150819 | CABLE HOLDER PG16 WITH HOLE |
| 191040 | FRAME F.THERMOSTAT KNOB |
| 321188 | COVER |
| 321189 | COVER |
| 321556 | SUPPORT |
| 321560 | SUPPORT |
| 331779 | PRESSURE SWITCH BRACKET |
| 351326 | PANEL |
| 351345 | PANEL |
| 450315 | KNOB F. THERMOSTAT 90°C |
| 631214 | ANTI-NOISE FILTER 4011135007 3 |



150033

| | |
|---------------|--|
| 120166 (1") | |
| 120165 (3/4") | |
| 630976 (1") | |
| 630972 (3/4") | |
| 630629 (1") | |
| 630628 (3/4") | |

| | | | | | | | |
|--------|---------|--------|--------|--------|---------|---------|---------|
| | | | | | | | |
| G 50 L | G 50 LM | G 60 L | G 65 L | G 75 L | G 100 L | G 115 L | G 125 L |

1 - 7 - 98 F.A.

13 - Steam Version

| CODE | DESCRIPTION |
|--------|--------------------------------|
| 120165 | SOLE.N.VALVE ST.24V50HZ 3/4" |
| 120166 | STEAM SOLE.N.VALVE 1" 24V-50 |
| 150033 | CONNEC.F.SOLEN.VALVE 182.09.N |
| 240723 | STEAM COIL 12.000KCAL "GL" |
| 250804 | NIPPLES FOR STEAM COIL |
| 290409 | NIPPLE 3/4" |
| 290410 | NIPPLE 1/2" |
| 310603 | STRAINERS JU 1" MOD.45 |
| 310702 | STEAM TRAP 1/2" MK 25/3 |
| 330328 | STEAM BOILER G |
| 331387 | HOSE 3/4" |
| 450516 | THERMOSTAT SHIELD FOR 2 TERMOS |
| 630628 | KIT F.SOLEN.V.L153D1 3/4" |
| 630629 | KIT SOLENOID VALVE 1" STEAM L1 |
| 630972 | COIL Z534A/V.24-L145A-3/4 |
| 630976 | COIL Z114A/V24/50HZ L153-1" |

630518
 631661 Ø 122
 200848
 630128

100698 220/240 - 380/415 50 Hz
 100705 220/240 - 380/415 60 Hz
 100699 255/440 60 Hz

HP 0,75 / Kw 0,55 **(CEA 120/2)**

630529

631661 50 Hz Ø 122
 631696 60 Hz

200848
 630128

100789 220/240 - 380/415 50 Hz
 100792 220/240 - 380/415 60 Hz
 100793 255/440 60 Hz

HP 0,75 / Kw 0,55 **(CEA 120/2/A)**

630520

631693 50 Hz Ø 116
 631694 60 Hz Ø 90

200948
 460526
 460525

100697 220/240 - 380/415 50 Hz
 100709 220/240 - 380/415 60 Hz

HP 4 / Kw 3 **(SHE 50)**

14 - Pump

| CODE | DESCRIPTION |
|-------------|---------------------------------|
| 100697 | PUMP HP 4 230/400/50 SHE 50 |
| 100698 | PUMP HP 0,75-CEA120 (100789) |
| 100699 | PUMP 1HP 255/440 60HZ CE1206/1 |
| 100705 | PUMP HP0,75 220-380 60H(100792) |
| 100709 | PUMP HP 4 220/380/415V 60HZ |
| 100789 | PUMP HP 0,75 220/415V |
| 100792 | PUMP HP 0,75 220/415 |
| 100793 | PUMP HP 0,75 |
| 200848 | O-RING FOR PUMP 0,75 HP CEA 12 |
| 200948 | OR GASKET |
| 460525 | GASKET INLET ELBOW WASH PUMP |
| 460526 | GASKET DELIVERY ELBOW WASH P. |
| 630128 | PUMP VOLUTE 0,75HP CEA120/2 |
| 630518 | PUMP SEAL HP0,75 CE120 |
| 630520 | PUMP SEAL HP4-HTE50E |
| 630529 | SEAL FOR PUMP HP0,75 CEA120/2A |
| 631661 | IMPELLER PUMP 0,75HP LOW.CE120 |
| 631693 | IMPELLER FOR PUMP 100697 |
| 631694 | IMPELLER |
| 631696 | IMPELLER 60HZ FOR PUMP 100792 |